

S4 LABORATORY BALL VALVE, PVC, PVDF

SPECIFICATIONS:

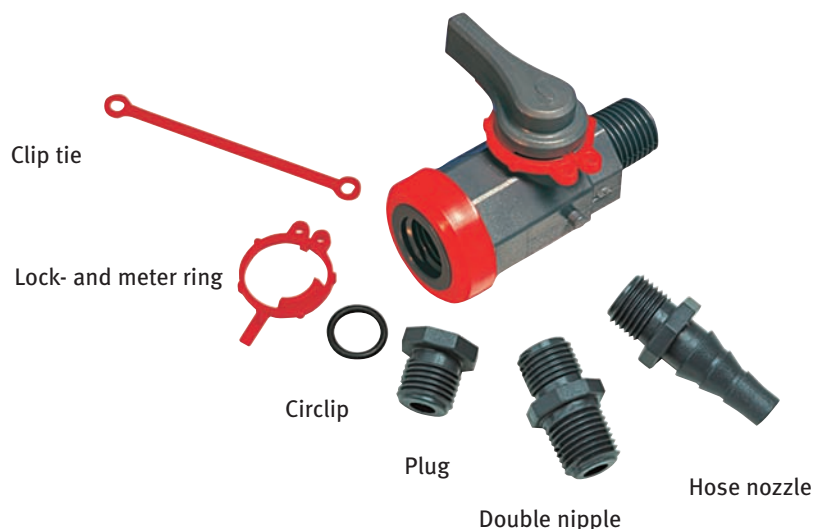
Sizes:	1/4" (DN 8)
Body Materials:	PVC - PVDF
O-rings:	EPDM, FPM
Operating pressure:	
1/4" 145 psi (10 bar)	
Connections:	
- Hose nozzle	
- Double nipple BSP, NPT	
- Plug BSP, NPT	

Sample Specification:

TYPE PRAHER PVDF Laboratory ball valve S4
 1/4" (DN 6) NPT Hose nozzle NPT Sealing material FPM Ball seating joint PTFE (Teflon®)
 Max. Operating pressure 10 bar Safety handle system

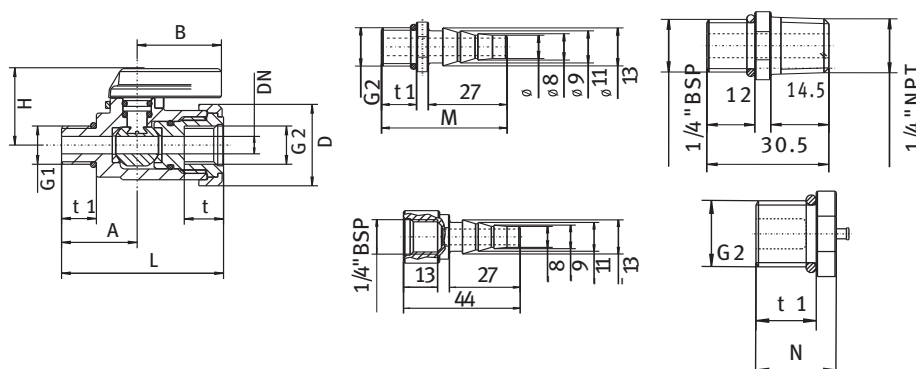
FEATURES:

- our "lock and meter" ring enables the ball valve to be positioned in several different locking modes, while providing an additional safety feature against unintentional valve activation.
- lock and meter ring enables locking against unauthorized operation
- compact construction
- low operating forces
- light weight



PVC							DN	6
G1	G2	A	t1	L	M	N	B	29,0
1/4" BSP	1/4" BSP	26,0	12,0	56,0	43,0	16,0	D	28,0
3/8" BSP	1/4" BSP	26,0	12,0	56,0	43,0	16,0	H	26,5
1/4" NPT	1/4" NPT	28,5	14,5	58,5	45,5	18,5	t	13,5
PVDF							PN	10
1/4" BSP	1/4" BSP	25,0	11,5	54,5	42,0	15,5		
1/4" NPT	1/4" NPT	27,5	14,5	57,0	44,5	18,0		

dimensions in mm



Cv value vs opening

Opening	25%	50%	75%	100%
Cv Value	0.31	0.62	0.92	1.2\3

vacuum rating: 29.9 inches mercury

Working pressures PSI

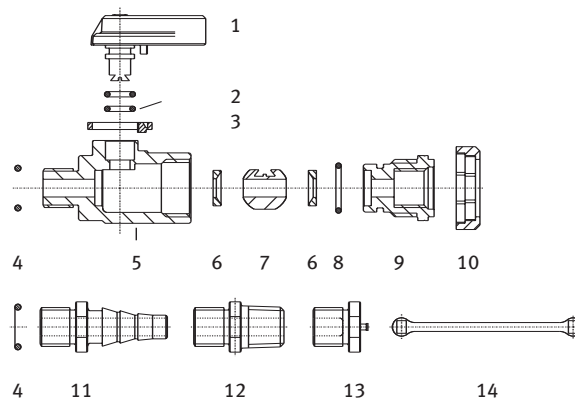
Material	40°C	60°C	80°C	100°C	120°C
	32-104°F	140°F	176°F	212°F	248°F
PVC	150	30	-	-	-
PVDF	150	90	75	60	35

Temperature Ranges:

PVC 0 to 60°C (32 to 140°F),
 PVDF -40 to 120°C (-40 to 248°F).

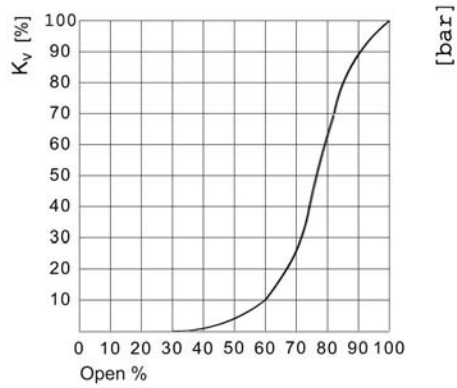
Parts:

01. Handle
02. O-Ring
03. Lock- and meter ring
04. O-Ring
05. Body
06. Ball seating joint
07. Ball
08. O-Ring
09. Thrust collar
10. Circlip
11. Hose nozzle
12. Double nipple
13. Plug
14. Clip tie



S₄ LABORATORY BALL VALVE, PVC, PVDF

Flow Characteristics



Pressure-Temperature Diagram

